



*Similar to figure*

**Specifications:**

Current measurement	Number:	2
	Measurement range min.:	-22,5A
	Measurement range max.:	+100A
	Resolution of a current input:	30mA
	Maximum error level relative to 20A:	+/- 0,5%
	Maximum rated current of fuse:	125A
	Maximum current per measuring input:	87,5 permanently (with a 125A-string fuse with a reduction factor of 0.7)

Voltage measurement	Number:	1
	Measurement range min.:	0V
	Measurement range max.:	1000V
	Resolution of the voltage measurement:	1,5V
	Maximum error level relative to 1000V	+/- 0,5%


Main current output	Number:	1
	Total current max. (Isc):	200A
	Total current max. (Imp):	175A

Supply	Voltage:	20...60V
	Surge protection:	Yes
	Reverse polarity protection:	Yes
	Power at 24V:	1,60W

<table border="1" style="width: 100%; height: 40px;"> <tr> <td style="text-align: center; padding: 5px;">Customer approval : (date/signature)</td> </tr> </table>	Customer approval : (date/signature)	<b>Part number:</b>  <b>60-2901</b>	<b>Customer Part number:</b>
Customer approval : (date/signature)			

Disclosure or duplication of this document or the utilization and communication of its contents not permitted, and not expressly granted. Offenders will be liable for damages. All rights in the event of grant of a patent or utility model registration.

Erstellt:	Geprüft:	Freigabe:	Dateiname	Ausdruckdatum	Seite
von: MTH am: 23.10.2013	von: CS am: 23.10.2013	von: TK am: 23.10.2013	60-2901_datenblatt_en - v05.doc	01.09.2016	Seite 1 von 4

FO 306	<b>Formblatt</b>	
Version: 01	„Datasheet“	

**Specifications:**

Digital inputs	Number:	2
	Type:	State
Communication	Type:	RS-485
	Protocol:	Modbus RTU
	Data format:	8n1
	Baud rates:	19 200 Baud
	Connectable devices:	max. 120
	Unit Load :	¼ (so that allows up to 128 Users)

**Connection data:**

DC main line	<i>Type of terminal:</i>		Ring cable lug M8	
String connection, Voltage connection	<i>Type of terminal:</i>		Cage clamp terminal	
	<i>Rigid:</i>	0,20-6,0mm <sup>2</sup>	<i>Stripping length:</i>	12mm
	<i>Flexible without ferrule:</i>	0,20-6,0mm <sup>2</sup>	<i>Stripping length:</i>	12mm
	<i>Flexible with ferrule:</i>	0,25-4,0mm <sup>2</sup>	<i>Stripping length:</i>	12mm
Supply voltage, earth connection, communication, signaling contacts	<i>Type of terminal:</i>		Cage clamp terminal	
	<i>Rigid:</i>	0,20-4,0mm <sup>2</sup>	<i>Stripping length:</i>	10mm
	<i>Flexible without ferrule:</i>	0,20-2,5mm <sup>2</sup>	<i>Stripping length:</i>	10mm
	<i>Flexible with ferrule:</i>	0,25-1,5mm <sup>2</sup>	<i>Stripping length:</i>	8mm

**Ambient conditions:**

Permissible ambient temperature	t <sub>a</sub>	-20°C to +75°C
Permissible storage temperature	T <sub>storage</sub>	-20°C to +75°C
Relative humidity, non-condensing	U <sub>air</sub>	15...95%
Maximum altitude above sea level	NN	1000m
Degree of pollution		2
Overvoltage category		2

**Standards:**

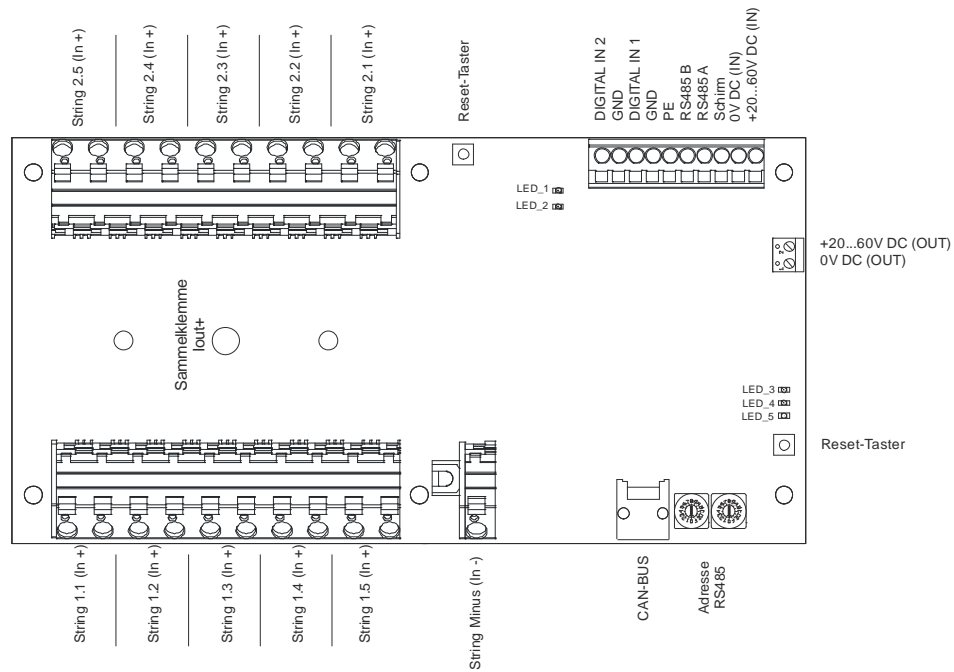
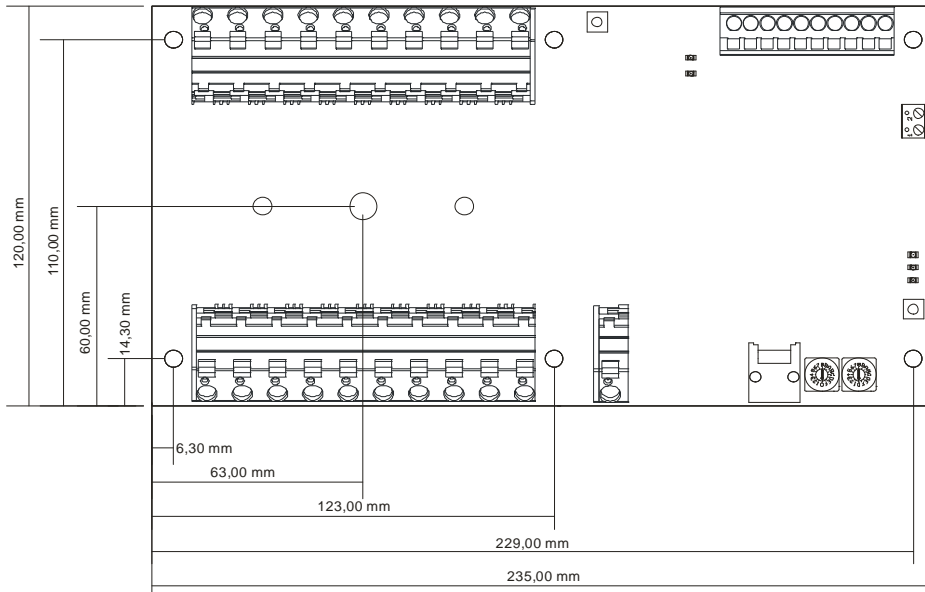
CE conformity		Yes
Standardization		
	Safety:	EN 62109-1:2010
	EMC:	EN 61000-4
		EN 55011

<div style="border: 1px solid black; padding: 5px; width: fit-content; margin: auto;">Customer approval : (date/signature)</div>	<b>Part number:</b>	<b>Customer Part number:</b>
	<b>60-2901</b>	

Disclosure or duplication of this document or the utilization and communication of its contents not permitted, and not expressly granted. Offenders will be liable for damages. All rights in the event of grant of a patent or utility model registration.

Erstellt:	Geprüft:	Freigabe:	Dateiname	Ausdruckdatum	Seite
von: MTH am: 23.10.2013	von: CS am: 23.10.2013	von: TK am: 23.10.2013	60-2901_datenblatt_en - v05.doc	01.09.2016	Seite 2 von 4

**Dimensions:**



Customer approval : (date/signature)

**Part number:**

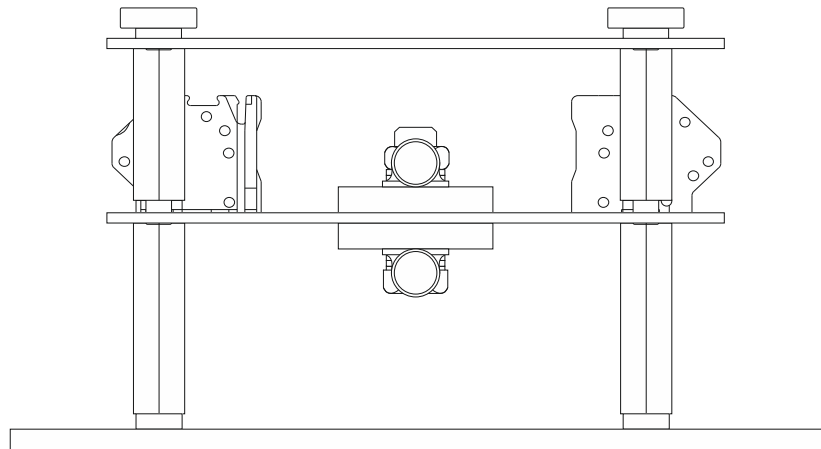
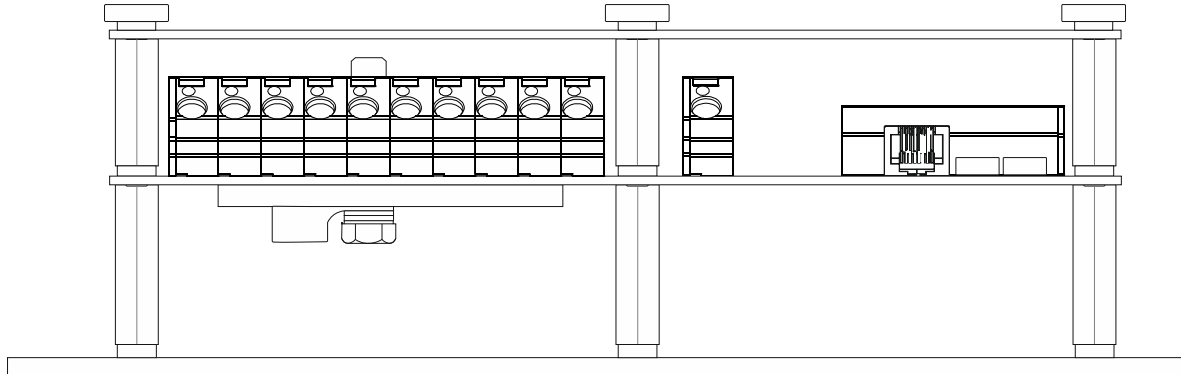
**Customer Part number:**

**60-2901**

Disclosure or duplication of this document or the utilization and communication of its contents not permitted, and not expressly granted. Offenders will be liable for damages. All rights in the event of grant of a patent or utility model registration.

Erstellt:	Geprüft:	Freigabe:	Dateiname	Ausdruckdatum	Seite
von: MTH am: 23.10.2013	von: CS am: 23.10.2013	von: TK am: 23.10.2013	60-2901_datenblatt_en - v05.doc	01.09.2016	Seite 3 von 4

**Construction:**



Customer approval : (date/signature)

**Part number:**

**60-2901**

**Customer Part number:**

Disclosure or duplication of this document or the utilization and communication of its contents not permitted, and not expressly granted. Offenders will be liable for damages. All rights in the event of grant of a patent or utility model registration.

Erstellt:	Geprüft:	Freigabe:	Dateiname	Ausdruckdatum	Seite
von: MTH am: 23.10.2013	von: CS am: 23.10.2013	von: TK am: 23.10.2013	60-2901_datenblatt_en - v05.doc	01.09.2016	Seite 4 von 4