

*Similar to figure*

**Specifications:**

Supply	Voltage:	20...60V
	Surge protection:	No
	Reverse polarity protection:	No
	Power at 24V:	1,40W
Communication	Type:	RS-485
	Protocol:	CAN 2.0 A / B
Digital output	Number:	1
	Type:	State
Resistance measurement input for PT1000	Number:	2
	Measuring system	Two wire / three wire
Voltage input 0...10 V	Number:	2
Current input 4...20 mA	Number:	2
Power supply sensor	Max. current consumption of all sensors:	350 mA

<div style="border: 1px solid black; padding: 5px; width: fit-content; margin: 0 auto;">Customer approval : (date/signature)</div>	<b>Part number:</b>	<b>Customer Part number:</b>
	<b>60-2902</b>	

Disclosure or duplication of this document or the utilization and communication of its contents not permitted, and not expressly granted. Offenders will be liable for damages. All rights in the event of grant of a patent or utility model registration.

Erstellt:	Geprüft:	Freigabe:	Dateiname	Ausdruckdatum	Seite
von: MTH am: 01.10.2014	von: CS am: 01.10.2014	von: TK am: 01.10.2014	60- 2902_datenblatt_en.do c	17.10.2014	Seite 1 von 4

<b>Connection data:</b>	
-------------------------	--

Digital output	<b>Type of terminal:</b>		Cage clamp terminal	
	<b>Rigid:</b>	0,14-1,5 mm <sup>2</sup>	<b>Stripping length:</b>	6 mm
	<b>Flexible without ferrule:</b>	0,14-1,5 mm <sup>2</sup>	<b>Stripping length:</b>	6 mm
	<b>Flexible with ferrule:</b>	0,14-1,5 mm <sup>2</sup>	<b>Stripping length:</b>	6 mm
Resistance measurement input	<b>Type of terminal:</b>		cage clamp terminal	
	<b>Rigid:</b>	0,14-1,5 mm <sup>2</sup>	<b>Stripping length:</b>	6 mm
	<b>Flexible without ferrule:</b>	0,14-1,5 mm <sup>2</sup>	<b>Stripping length:</b>	6 mm
	<b>Flexible with ferrule:</b>	0,14-1,5 mm <sup>2</sup>	<b>Stripping length:</b>	6 mm
Voltage input	<b>Type of terminal:</b>		Cage clamp terminal	
	<b>Rigid:</b>	0,14-1,5 mm <sup>2</sup>	<b>Stripping length:</b>	6 mm
	<b>Flexible without ferrule:</b>	0,14-1,5 mm <sup>2</sup>	<b>Stripping length:</b>	6 mm
	<b>Flexible with ferrule:</b>	0,14-1,5 mm <sup>2</sup>	<b>Stripping length:</b>	6 mm
Current input	<b>Type of terminal:</b>		cage clamp terminal	
	<b>Rigid:</b>	0,14-1,5 mm <sup>2</sup>	<b>Stripping length:</b>	6 mm
	<b>Flexible without ferrule:</b>	0,14-1,5 mm <sup>2</sup>	<b>Stripping length:</b>	6 mm
	<b>Flexible with ferrule:</b>	0,14-1,5 mm <sup>2</sup>	<b>Stripping length:</b>	6 mm
Supply voltage	<b>Type of terminal:</b>		cage clamp terminal	
	<b>Rigid:</b>	0,14-1,5 mm <sup>2</sup>	<b>Stripping length:</b>	6 mm
	<b>Flexible without ferrule:</b>	0,14-1,5 mm <sup>2</sup>	<b>Stripping length:</b>	6 mm
	<b>Flexible with ferrule:</b>	0,14-1,5 mm <sup>2</sup>	<b>Stripping length:</b>	6 mm

<b>Ambient conditions:</b>	
----------------------------	--

Permissible ambient temperature	$t_a$	-20°C to +75°C
Permissible storage temperature	$T_{storage}$	-20°C to +75°C
Relative humidity, non-condensing	$U_{air}$	15...95%
Maximum altitude above sea level	NN	1000m
Degree of pollution		2
Overvoltage category		2

<b>Standards:</b>	
-------------------	--

CE conformity		Yes
Standardization		
	Safety:	EN 62109-1:2010
	EMC:	EN 61000-4
		EN 55011

<b>Supported measuring system:</b>	
------------------------------------	--

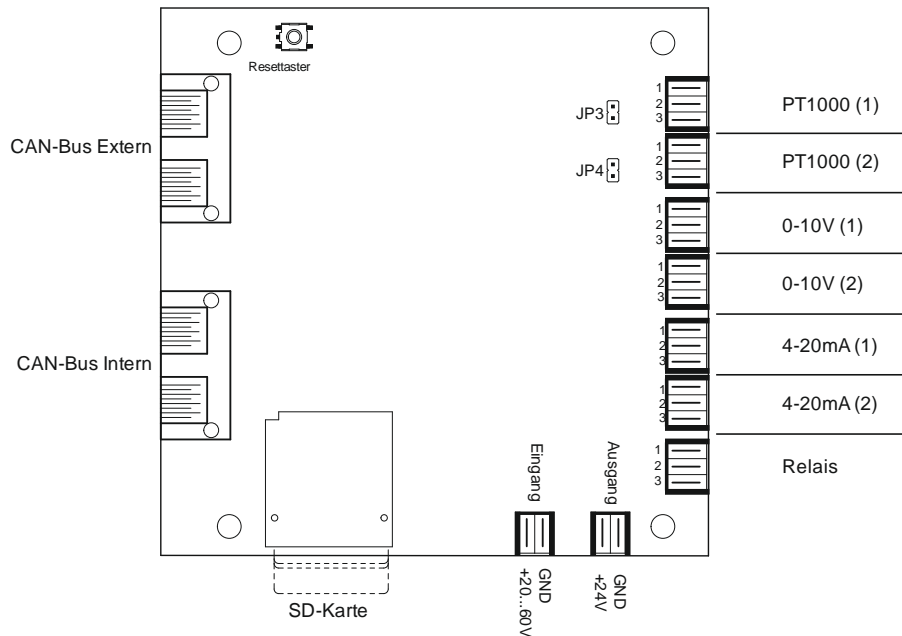
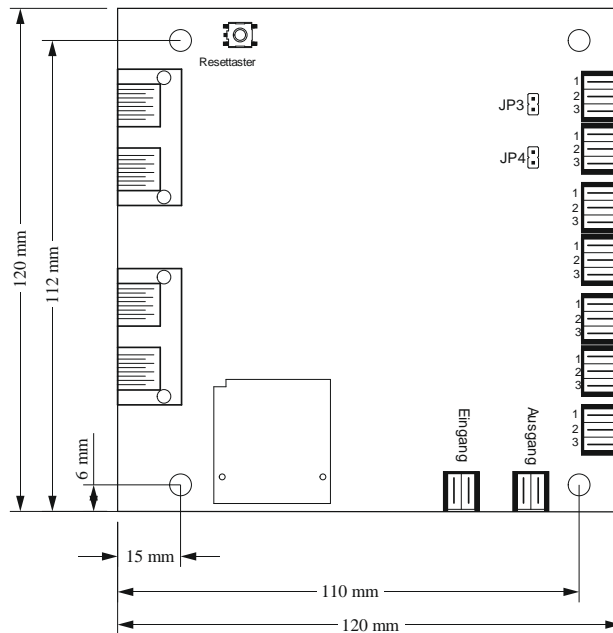
KSM-VX.X-02/1000/100		Klein GmbH
KSM-VX.X-10/1000/020		Klein GmbH
KSM-VX.X-10/1000/040		Klein GmbH

<div style="border: 1px solid black; width: 100%; height: 40px; margin-bottom: 5px;"></div> <div style="border: 1px solid black; width: 100%; height: 40px;"></div>	<b>Part number:</b>  <span style="font-size: 1.2em; font-weight: bold;">60-2902</span>	<b>Customer Part number:</b>
---	--	------------------------------

Disclosure or duplication of this document or the utilization and communication of its contents not permitted, and not expressly granted. Offenders will be liable for damages. All rights in the event of grant of a patent or utility model registration.

Erstellt:	Geprüft:	Freigabe:	Dateiname	Ausdruckdatum	Seite
von: MTH am: 01.10.2014	von: CS am: 01.10.2014	von: TK am: 01.10.2014	60- 2902_datenblatt_en.do c	17.10.2014	Seite 2 von 4

**Dimensions:**



Customer approval : (date/signature)

**Part number:**

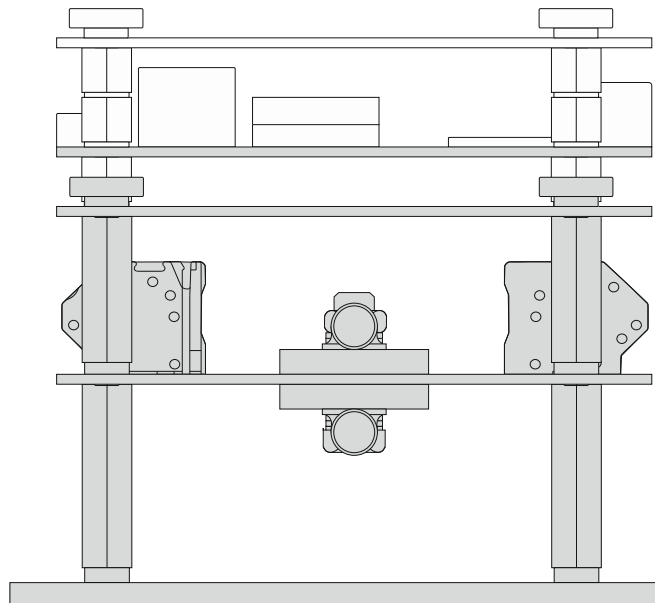
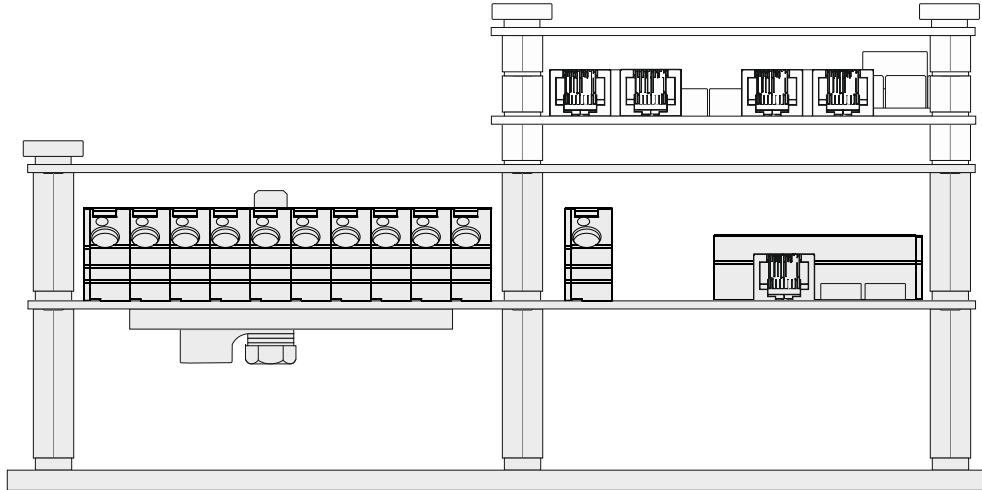
**Customer Part number:**

**60-2902**

Disclosure or duplication of this document or the utilization and communication of its contents not permitted, and not expressly granted. Offenders will be liable for damages. All rights in the event of grant of a patent or utility model registration.

Erstellt:	Geprüft:	Freigabe:	Dateiname	Ausdruckdatum	Seite
von: MTH am: 01.10.2014	von: CS am: 01.10.2014	von: TK am: 01.10.2014	60-2902_datenblatt_en.doc	17.10.2014	Seite 3 von 4

**Construction:**



Customer approval : (date/signature)

**Part number:**

**Customer Part number:**

**60-2902**

Disclosure or duplication of this document or the utilization and communication of its contents not permitted, and not expressly granted. Offenders will be liable for damages. All rights in the event of grant of a patent or utility model registration.

Erstellt:	Geprüft:	Freigabe:	Dateiname	Ausdruckdatum	Seite
von: MTH am: 01.10.2014	von: CS am: 01.10.2014	von: TK am: 01.10.2014	60- 2902_datenblatt_en.do c	17.10.2014	Seite 4 von 4