

*Similar to figure*

**Specifications:**

Supply	Voltage:	5V
	Surge protection:	No
	Reverse polarity protection:	No
	Power at 24V:	0,25W
Communication	Type:	CAN
	Protocol:	CAN 2.0 A / B
Resistance measurement input for PT1000	Number:	2
	Measuring system	Two wire
	Precision:	+/- 1°C

<div style="border: 1px solid black; padding: 5px; margin: 0 auto; width: 80%;">                 Customer approval : (date/signature)             </div>	<b>Part number:</b>	<b>Customer Part number:</b>
		<b>60-2910</b>

Disclosure or duplication of this document or the utilization and communication of its contents not permitted, and not expressly granted. Offenders will be liable for damages. All rights in the event of grant of a patent or utility model registration.

Connection data:			
Resistance measurement input	<b>Type of terminal:</b>		cage clamp terminal
	<b>Rigid:</b>	0,14-1,5 mm <sup>2</sup>	<b>Stripping length:</b> 6 mm
	<b>Flexible without ferrule:</b>	0,14-1,5 mm <sup>2</sup>	<b>Stripping length:</b> 6 mm
	<b>Flexible with ferrule:</b>	0,14-1,5 mm <sup>2</sup>	<b>Stripping length:</b> 6 mm

Ambient conditions:		
Permissible ambient temperature	t <sub>a</sub>	-20°C to +75°C
Permissible storage temperature	T <sub>storage</sub>	-20°C to +75°C
Relative humidity, non-condensing	U <sub>air</sub>	15...95%
Maximum altitude above sea level	NN	1000m
Degree of pollution		2
Overvoltage category		2

Standards:		
CE conformity		Yes
Standardization		
	Safety:	EN 62109-1:2010
	EMC:	EN 61000-4
		EN 55011

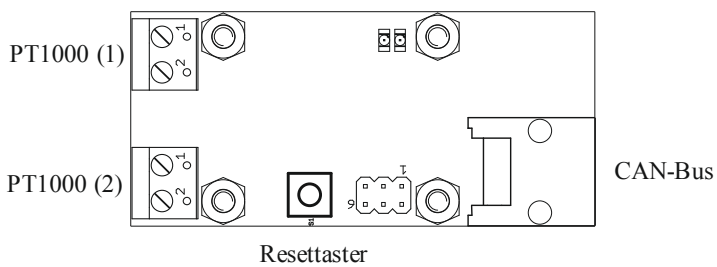
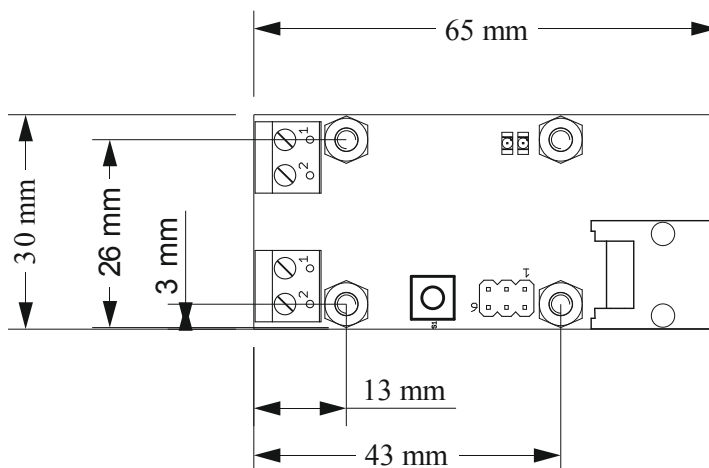
Supported measuring system:		
KSM-VX.X-02/1000/100		Klein GmbH
KSM-VX.X-10/1000/020		Klein GmbH
KSM-VX.X-10/1000/040		Klein GmbH

<div style="border: 1px solid black; padding: 5px; width: fit-content; margin: 0 auto;">Customer approval : (date/signature)</div>	<b>Part number:</b>	<b>Customer Part number:</b>
		<b>60-2910</b>

Disclosure or duplication of this document or the utilization and communication of its contents not permitted, and not expressly granted. Offenders will be liable for damages. All rights in the event of grant of a patent or utility model registration.

Erstellt:	Geprüft:	Freigabe:	Dateiname	Ausdruckdatum	Seite
von: MTH am: 30.10.2014	von: CS am: 30.10.2014	von: TK am: 30.10.2014	60-2910_datenblatt_en.doc	07.12.2015	Seite 2 von 4

**Dimensions:**



Customer approval : (date/signature)

**Part number:**

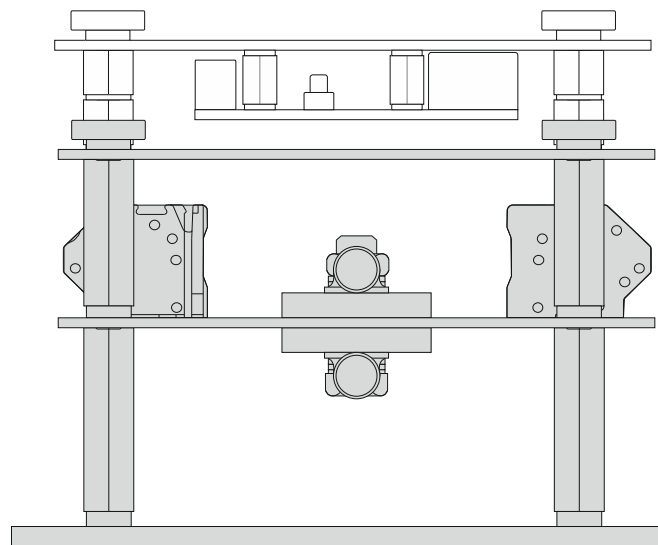
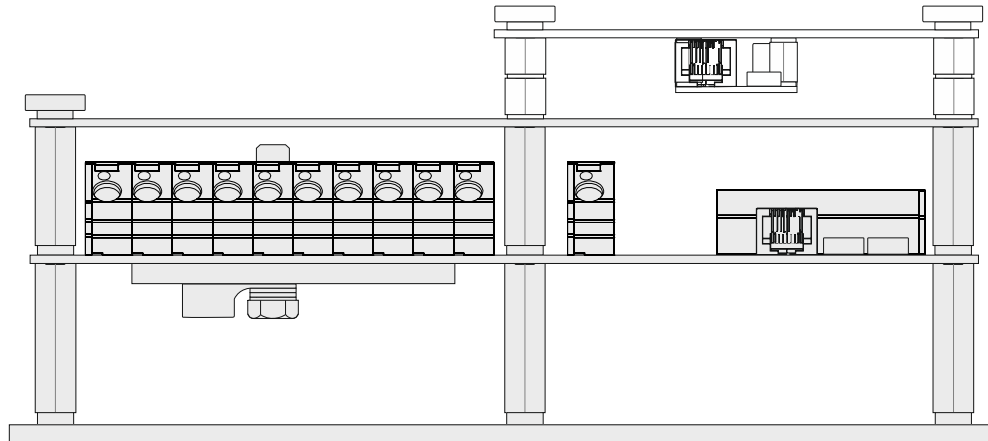
**Customer Part number:**

**60-2910**

Disclosure or duplication of this document or the utilization and communication of its contents not permitted, and not expressly granted. Offenders will be liable for damages. All rights in the event of grant of a patent or utility model registration.

Erstellt:	Geprüft:	Freigabe:	Dateiname	Ausdruckdatum	Seite
von: MTH am: 30.10.2014	von: CS am: 30.10.2014	von: TK am: 30.10.2014	60-2910_datenblatt_en.doc	07.12.2015	Seite 3 von 4

**Construction:**



Customer approval : (date/signature)

**Part number:**

**Customer Part number:**

**60-2910**

Disclosure or duplication of this document or the utilization and communication of its contents not permitted, and not expressly granted. Offenders will be liable for damages. All rights in the event of grant of a patent or utility model registration.

Erstellt: von: MTH am: 30.10.2014	Geprüft: von: CS am: 30.10.2014	Freigabe: von: TK am: 30.10.2014	Dateiname 60-2910_datenblatt_en.doc	Ausdruckdatum 07.12.2015	Seite Seite 4 von 4
---	---------------------------------------	--	--	-----------------------------	------------------------