

Similar to figure

Specifications:

Current measurement	Number:	10
	Measurement range min.:	-9A
	Measurement range max.:	+40A
	Resolution of a current input:	12mA
	Maximum error level relative to 20A:	+/- 0,5%
	Maximum rated current of fuse:	54A
	Maximum current per measuring input:	38A permanently (with a 54A-string fuse with a reduction factor of 0.7)

Voltage measurement	Number:	1
	Measurement range min.:	0V
	Measurement range max.:	1000V
	Resolution of the voltage measurement:	1,5V
	Maximum error level relative to 1000V	+/- 0,5%

Main current output	Number:	1
	Total current max. (I_{SC}):	435A
	Total current max. (I_{mpp}):	380A

Supply	Voltage:	20...60V
	Surge protection:	Yes
	Reverse polarity protection:	Yes
	Power at 24V:	1,60W

<div style="border: 1px solid black; padding: 5px; width: fit-content; margin: 0 auto;">Customer approval : (date/signature)</div>	Part number: 60-2958	Customer Part number:
--	---	------------------------------

Disclosure or duplication of this document or the utilization and communication of its contents not permitted, and not expressly granted. Offenders will be liable for damages. All rights in the event of grant of a patent or utility model registration.

Erstellt:	Geprüft:	Freigabe:	Dateiname	Ausdruckdatum	Seite
von: MTH am: 11.01.2017	von: CS am: 11.01.2017	von: TK am: 11.01.2017	60- 2958_datenblatt_en- v08.doc	11.01.2017	Seite 1 von 4

Technische Daten:		
--------------------------	--	--

Digital inputs	Number:	2
	Type:	Status
Communication	Type:	RS-485
	Protocol:	Modbus RTU
Digital inputs	Data format:	8n1
	Baud rates:	19 200 Baud
	Connectable devices:	max. 120
	Unit Load :	¼ (so that allows up to 128 Users)
	Number:	RS-485

Anschlussdaten:		
------------------------	--	--

DC main line	<i>Type of terminal:</i>	Ring cable lug M8
String connection, Voltage connection	<i>Type of terminal:</i>	Cage clamp terminal
	<i>Rigid:</i>	0,20-6,0mm ² <i>Stripping length:</i> 12mm
	<i>Flexible without ferrule:</i>	0,20-6,0mm ² <i>Stripping length:</i> 12mm
	<i>Flexible with ferrule:</i>	0,25-4,0mm ² <i>Stripping length:</i> 12mm
Supply voltage, earth connection, communication, signaling contacts	<i>Type of terminal:</i>	Cage clamp terminal
	<i>Star:</i>	0,20-4,0mm ² <i>Stripping length:</i> 10mm
	<i>Flexible without ferrule:</i>	0,20-2,5mm ² <i>Stripping length:</i> 10mm
	<i>Flexible with ferrule:</i>	0,25-1,5mm ² <i>Stripping length:</i> 8mm

Ambient conditions:		
----------------------------	--	--

Permissible ambient temperature	t _a	-40°C to +85°C
Permissible storage temperature	t _{storage}	-40°C to +70°C
Permissible connection temperature	t _{con}	-5°C bis +85°C
Relative humidity, non-condensing	U _{air}	15...95%
Maximum altitude above sea level	NN	1000m
Degree of pollution		2
Overvoltage category		2

Standards:		
-------------------	--	--

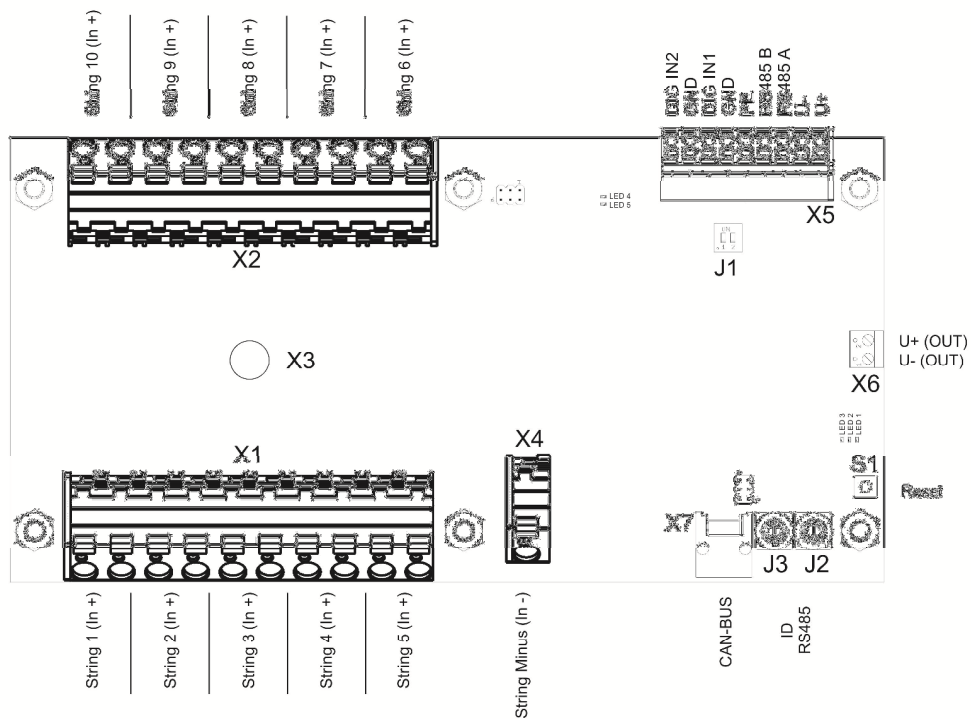
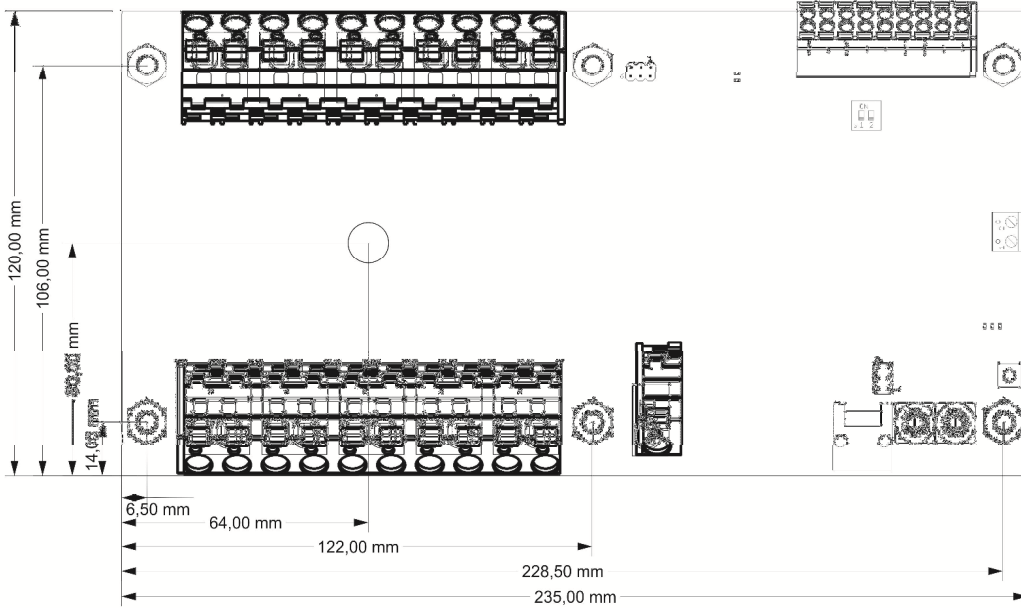
CE conformity		Yes
Standardization	Safety:	EN 62109-1:2010
	EMC:	EN 61000-4
		EN 55011

<div style="border: 1px solid black; width: 100%; height: 40px; margin-bottom: 5px;"></div> <div style="border: 1px solid black; width: 100%; height: 40px;"></div>	Part number: 60-2958	Customer Part number:
---	--	--------------------------------------

Disclosure or duplication of this document or the utilization and communication of its contents not permitted, and not expressly granted. Offenders will be liable for damages. All rights in the event of grant of a patent or utility model registration.

Erstellt:	Geprüft:	Freigabe:	Dateiname	Ausdruckdatum	Seite
von: MTH am: 11.01.2017	von: CS am: 11.01.2017	von: TK am: 11.01.2017	60- 2958_datenblatt_en- v08.doc	11.01.2017	Seite 2 von 4

Dimensions:



Customer approval : (date/signature)

Part number:

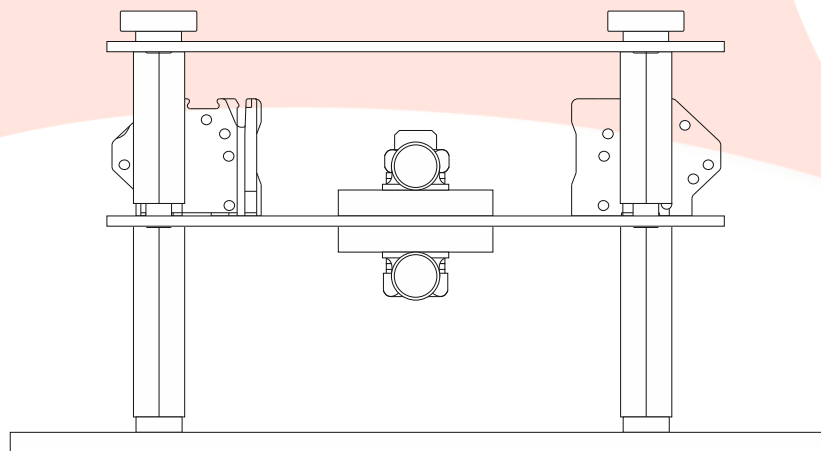
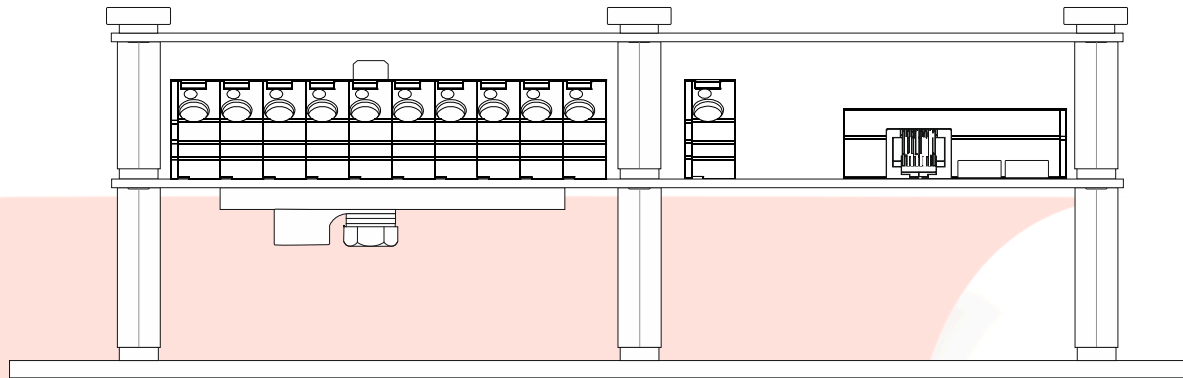
Customer Part number:

60-2958

Disclosure or duplication of this document or the utilization and communication of its contents not permitted, and not expressly granted. Offenders will be liable for damages. All rights in the event of grant of a patent or utility model registration.

Erstellt: von: MTH am: 11.01.2017	Geprüft: von: CS am: 11.01.2017	Freigabe: von: TK am: 11.01.2017	Dateiname 60- 2958_datenblatt_en- v08.doc	Ausdruckdatum 11.01.2017	Seite Seite 3 von 4
---	---------------------------------------	--	--	-----------------------------	------------------------

Construction:



Customer approval : (date/signature)

Part number:

Customer Part number:

60-2958

Disclosure or duplication of this document or the utilization and communication of its contents not permitted, and not expressly granted. Offenders will be liable for damages. All rights in the event of grant of a patent or utility model registration.

Erstellt:	Geprüft:	Freigabe:	Dateiname	Ausdruckdatum	Seite
von: MTH am: 11.01.2017	von: CS am: 11.01.2017	von: TK am: 11.01.2017	60-2958_datenblatt_en-v08.doc	11.01.2017	Seite 4 von 4